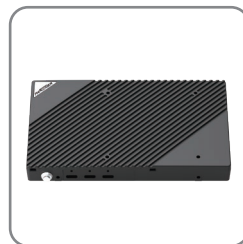
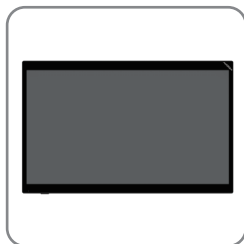


Florence

Florence Series

Modular All-in-One POS



FEATURES

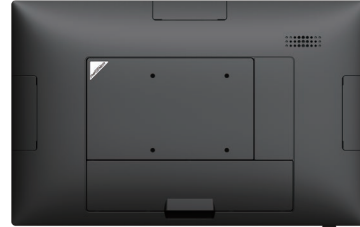
3 independent modules, 1 unified system

- Touch display with 15.6" FHD PCAP
- Detachable Box PC with Intel CPU
- Modular Brick Hub to start basic and expand with options
- Mix and match modules to fit any retail touchpoint

Florence

Specifications

Florence Touch Display



Display Size	15.6"
Aspect Ratio	16:9
Resolution	1920 x 1080
Brightness	350 nits
Touch	PCAP with Anti-Glare
External Connector	1 x Type-C (data transfer) for Touch 1 x HDMI support up to 2K@60Hz 1 x Type-C (data transfer + display + power delivery 60W) or Type-C adaptor in or Florence Box
Speaker	1 x 3W Speaker
Cable	1 x USB-C to USB-C 10G 1.0m 1 x HDMI 1.8m (option) 1 x Power cord (option)
Peripheral Options	For Florence POS MSR, fingerprint reader, RFID/NFC, i-Button, 10.1" USB 2nd display, 2D barcode scanner
Wall Mount Options	VESA 75 x 75mm, Screw M4 x 4mm x 4
Power Adaptor Options	AC-in 100~240V, 50/60Hz, 65W
Reliability	System operating temperature: 0~40°C / 32~104°F System humidity: 15% ~ 80% Storage temperature: -20~60°C / -4~140°F
Dimensions (WxHxD)	363.0 x 228.6 x 31.2 mm / 14.29 x 9.00 x 1.23 in
Weight	1.92 kg / 4.32 lb

*Specification is subject to change without prior notice



One display. Two Connection Mode.



Florence

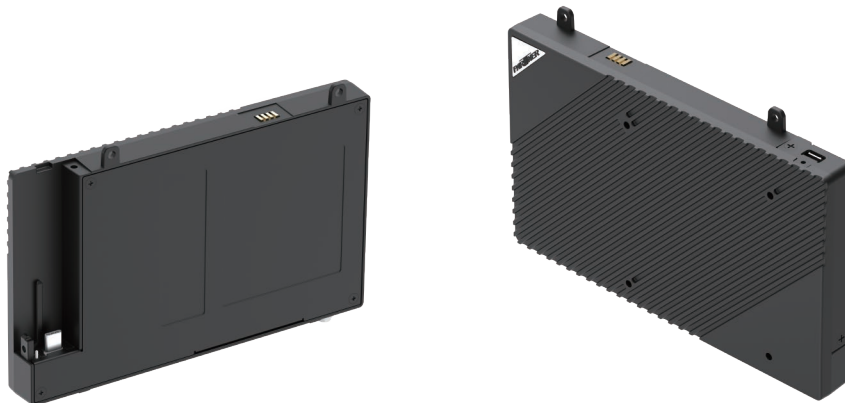
Specifications

Florence Box



CPU	Alder Lake-N Intel® Processor N97
Memory	DDR5 8GB, 16GB
Storage	M.2 PCIe SSD: 128G / 256G / 512G / 1TB
Type-C	1 x data transfer + display + power delivery for Florence Touch Display PD out 15W(5V/3A), 60W(12V/5A) 1 x data transfer 10G + display + power delivery for Florence Brick HuB PD in 100W(20V/5A, 15V/3A, 12V/3A, 9V/3A, 5V/3A) 1 x data transfer + display + power delivery PD out 60W(12V/5A) 1 x data transfer only for USB dongle
Wireless Option	Wi-Fi 6E + BT 5.3
Operating System	Windows 11 IoT, Linux Ubuntu 22.04
TPM	S/W TPM 2.0
Power Adaptor Options	AC-In 100~240V, 50/60Hz, 65W
Reliability	System operating temperature: 0~40°C / 32~104°F System humidity: 15% ~ 80% Storage temperature: -20~60°C / -4~140°F
Cable	1 x USB-C to USB-C 10G 1.0m (option) 1 x Power cord (option)
Wall Mount Options	VESA 75 x 75mm, Screw M4 x 4mm x 4
Dimensions (WxHxD)	168.7 x 103 x 19.2 mm / 6.64 x 4.06 x 0.76 in
Weight	0.49 kg / 1.08 lb

*Specification is subject to change without prior notice



Fanless and silent. Upgradeable without replacing the display.

Florence

Specifications

Florence Brick Hub



Main Brick Hub	<ul style="list-style-type: none"> 1 x Power LED 1 x Type-C (data transfer 10G / display / power delivery 100W) 1 x RJ11 port support for 2 cash drawers with 24V / 12V jumper setting 1 x LAN (IEEE 802.3 10/100/1000 Mbps) 1 x HDMI (Support FHD) 4 x USB 3.2 1 x Type-C (data transfer / display)(Support FHD)
Option Brick Hub	<ul style="list-style-type: none"> Option 1: 4 x USB3.0 (USB-A) Option 2: 1 x Power USB 24V+ 1 x Power USB 12V Option 3: 2 x Power USB 12V Option 4: 2 x RS232 (RJ45) with COM cable Note: Option 1 to 4 must be assembled in order.
Power Adaptor Options	<ul style="list-style-type: none"> AC-In 100~240V / DC-Out 24V, 5A, 120W Optional: For Brick Hub Option3 (Power USB 24V) DC-Out 24V/10A, 240W
Reliability	<ul style="list-style-type: none"> System operating temperature: 0~40°C / 32~104°F System humidity: 15% ~ 80% Storage temperature: -20~60°C / -4~140°F
Cable	<ul style="list-style-type: none"> 1 x USB-C to USB-C lockable 10G 1m 1 x Power cord (option)
Dimensions (WxHxD)	<ul style="list-style-type: none"> Main Brick: 150.93 x 67.6 x 27.7 mm / 5.94 x 2.66 x 1.09 in Option Brick: 52.2 x 67.6 x 27.7 mm / 2.06 x 2.66 x 1.09 in
Weight	<ul style="list-style-type: none"> Main Brick: 0.16 kg / 0.35 lb Option Brick: 0.06 kg / 0.13 lb

*Specification is subject to change without prior notice



Stackable design. Grow with your needs.

Contact Now

TAIWAN E-mail:sales@partner.com.tw
USA E-mail:sales@partnertechcorp.com
EUROPE E-mail:info@partner-tech.eu
UK E-mail:sales@partnertechuk.com
CHINA E-mail:sales@partnertech.com.cn

MIDDLE EAST
JAPAN
AUSTRALIA
ASIA PACIFIC

E-mail:info@partnertechme.com
 E-mail:sales-jp@partner.com.tw
 E-mail:sales_au@partnertechapac.com
 E-mail:sales@partnertechapac.com

